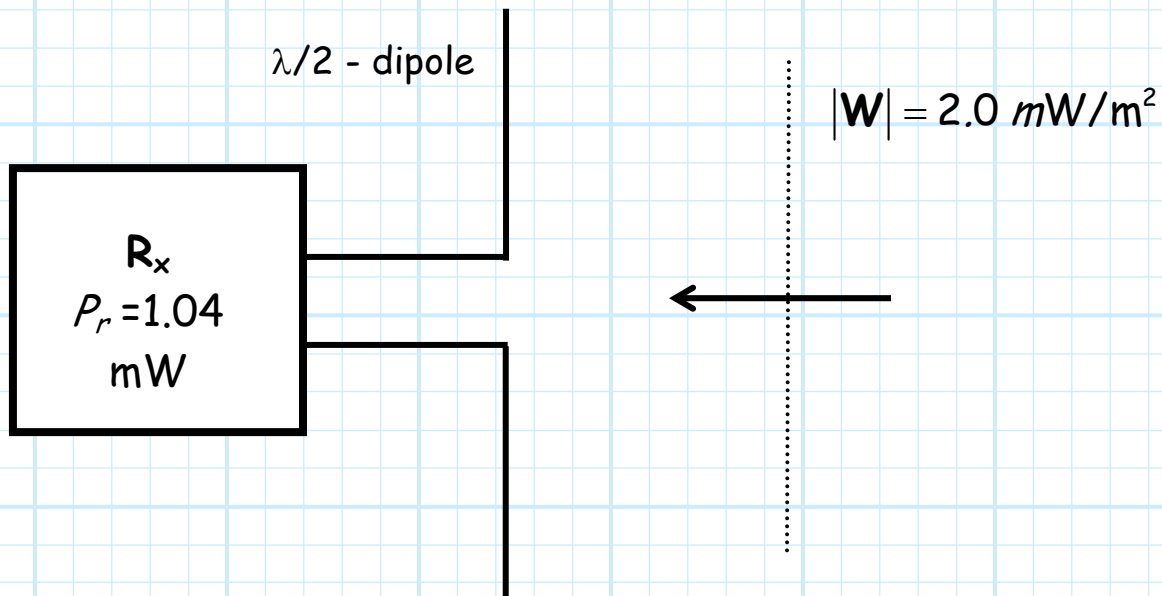


Special Problem 6.F-2

A plane wave with power density $|\mathbf{W}| = 2.0 \text{ mW/m}^2$ is incident on receiver using a $\lambda/2$ dipole.

The received power is 1.04 mWatts.



Determine the length of the dipole in meters